



**VEKA**

VARIATIONS GUIDE:  
EX-STOCK  
COLOUR RANGE



# OMNIA

**A double flush, double rebated product suite.**

Designed with a true flush appearance on both the interior and exterior, OMNIA incorporates features that support thermal and acoustic performance and is manufactured to comply with current building regulations, with consideration for future requirements.

To find out more:  
 INSTALLER? Contact your Fabricator  
 FABRICATOR? Contact your Business Development Manager  
 or visit: [vekauk.com/products/windows/omnia/](http://vekauk.com/products/windows/omnia/)



## Contents

Guide to Lamination Charts .....	4-5	Imagine Patio Door.....	22-23
VEKA M70.....	6-7	VEKA & Halo Composite Door.....	24-25
VEKA Matrix Fully Sculptured .....	8-9	OMNIA.....	26-29
Halo System 10.....	10-11	Ancillaries.....	30-31
Halo Rustique.....	12-13	Cross Systems Colour Guide.....	32-33
VEKA & Halo FlushSash .....	14-15	Ex-Stock Colour Range.....	34-35
Imagine Vertical Slider.....	16-17	Made To Order Colour Range.....	36-37
VEKA & Halo Fully Reversible.....	18-19	Reinforcement Guidelines.....	38-39
Imagine Bi-Fold Door .....	20-21		



43  
 COLOUR COMBINATIONS

18  
 COLOURS AVAILABLE EX-STOCK

**97% of our orders are fulfilled from stock.**  
 Our delivery promise for stocked items is order on day 1, delivery on day 3.

The colours in this Variations Guide are ex-stock, sharing the same lead time as our standard profile. However, we do also have a range of Made-to-Order colours on extended lead times.

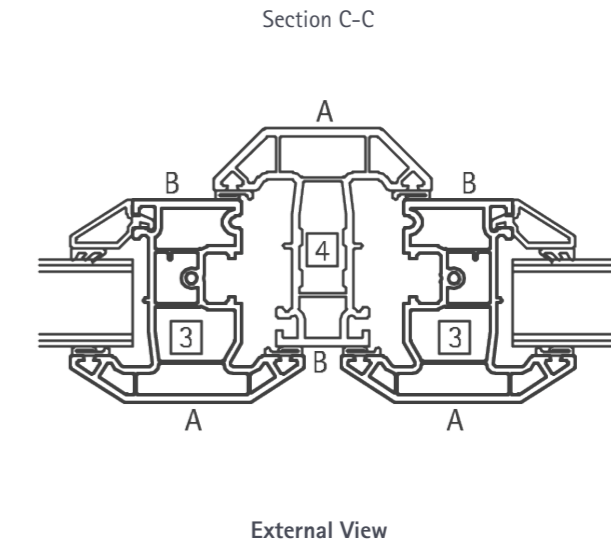
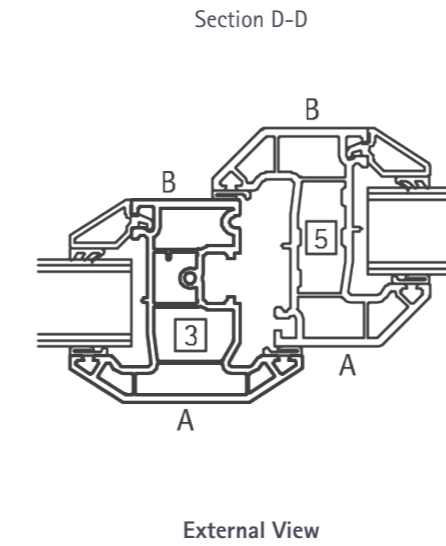
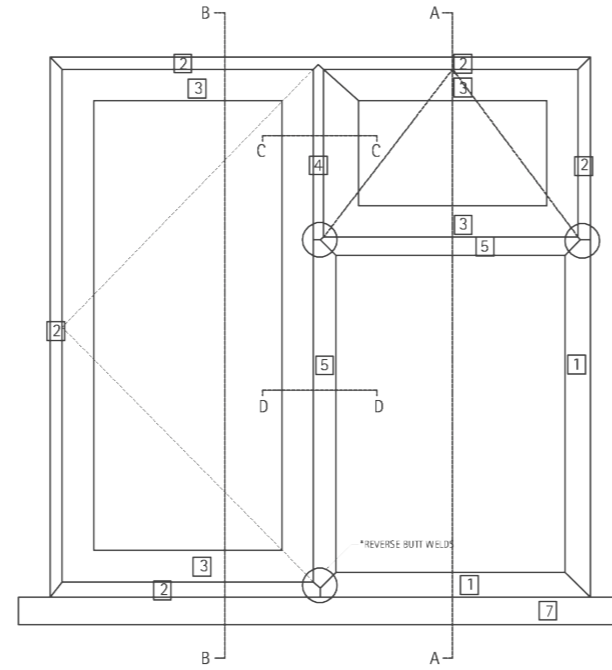
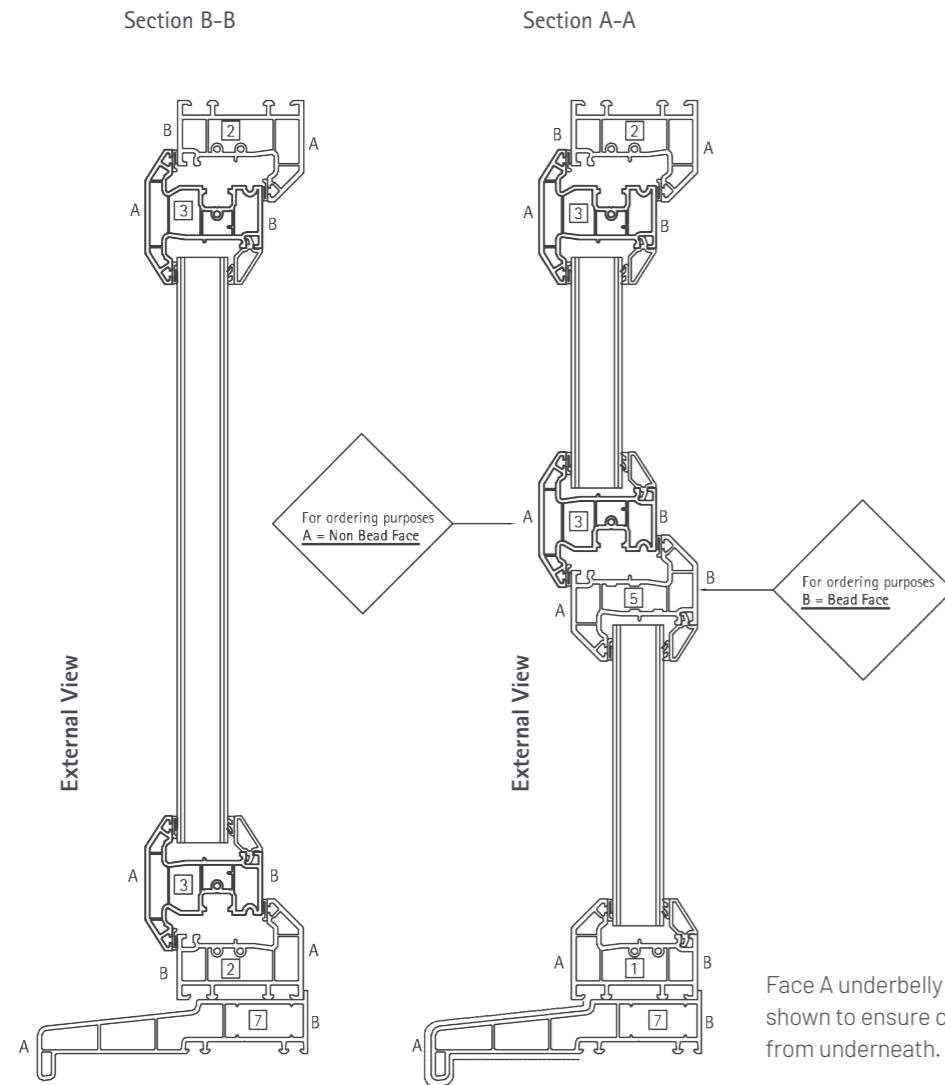


# Guide to our Lamination Charts

To assist with profile orders, all lamination charts clearly identify all A & B faces.

## Standard Casement Window

Drawing identifies internal and external faces on a typically internally beaded frame. This same logic will apply to VEKA & Halo systems.



Face A underbelly of ALL cills to be laminated as shown to ensure continuous colour when viewed from underneath.



**VEKA M70**  
Ex-Stock Colour Availability

For RAL codes and to compare colour across multiple systems, please refer to our cross systems colour guide on pages 32-33

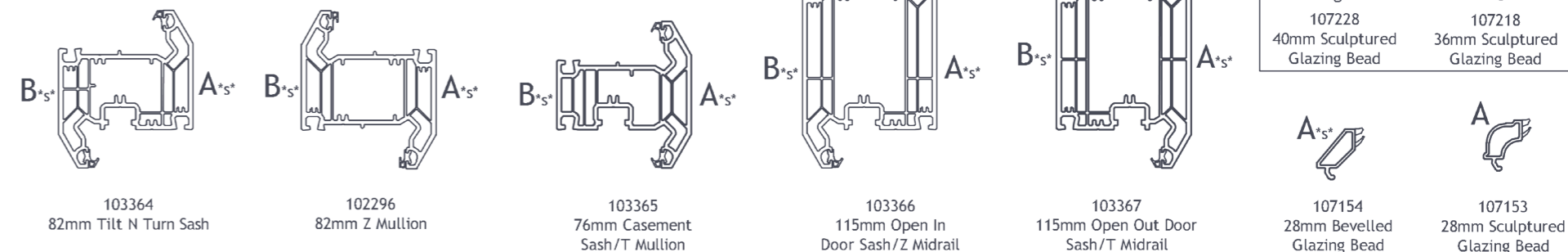
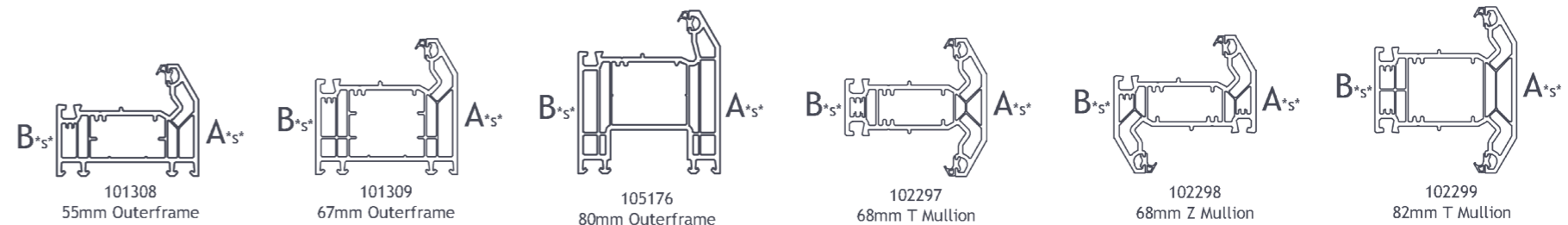


M70 is made with a clean bevelled design that provides a contemporary appearance. The system is designed to support durability, security, and thermal efficiency in window and door applications.

Colour	Sides	Base
Agate Grey	1	White
Anthracite Grey FEINSTRUKTUR*	1	White
Anthracite Grey FEINSTRUKTUR*	2	Grey
Black FEINSTRUKTUR*	1	White
Black FEINSTRUKTUR*	2	Grey
Anthracite Grey	1	White
Anthracite Grey	2	Grey
Basalt Grey	1	White
Beck Brown	1	White
Beck Brown	2	Brown
Chartwell Green	1	White
Cream	1	White
Cream	2	White
Golden Oak	1	White
Golden Oak	2	Brown
Pebble Grey	1	White
Rosewood	1	White
Rosewood	2	Brown
Silver Grey	1	White
Slate Grey	1	White
White	1	White
White	2	White

### Lamination Chart

Any face with an "s" next to it is offered in SPECTRAL and only on bevelled faces.



Download the latest Variations Brochure with the most up to date lamination charts.



\*Feinstruktur is only available on bevelled or flat surfaces



**VEKA Matrix Fully Sculptured**  
Ex-Stock Colour Availability

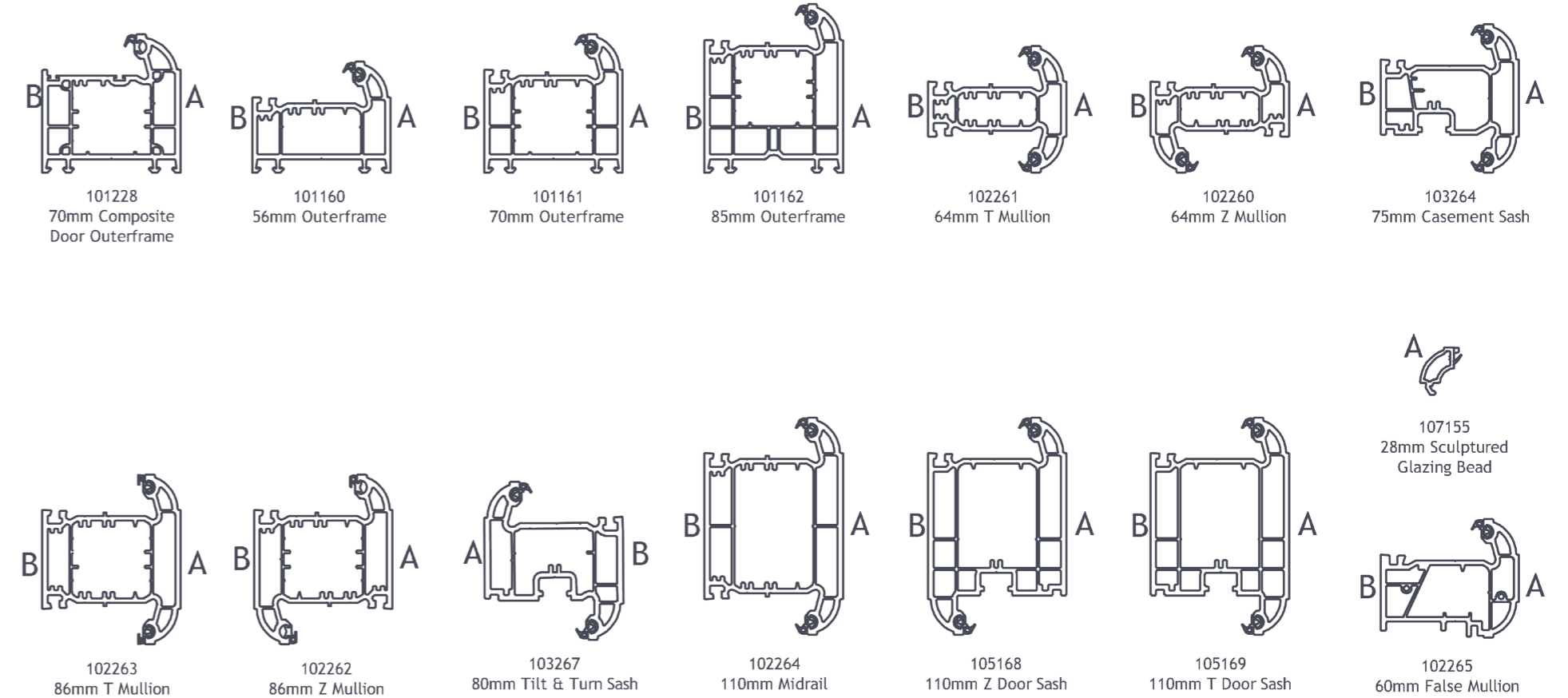
For RAL codes and to compare colour across multiple systems, please refer to our cross systems colour guide on pages 32-33



Matrix Fully Sculptured was developed to provide a design that reflects the appearance of traditional timber frames while incorporating the performance characteristics of PVCu.

Colour	Sides	Base
Agate Grey	1	White
Anthracite Grey	1	White
Anthracite Grey	2	Grey
Anthracite Grey Smooth	1	White
Anthracite Grey Smooth	2	Grey
Beck Brown	1	White
Beck Brown	2	Brown
Chartwell Green	1	White
Pebble Grey	1	White
Cream	1	White
Cream	2	White
Golden Oak	1	White
Golden Oak	2	Brown
Irish Oak	1	White
Irish Oak	2	Brown
Rosewood	1	White
Rosewood	2	Brown
Silver Grey	1	White
Slate Grey	1	White
White	1	White
White	2	White

### Lamination Chart



Download the latest Variations Brochure with the most up to date lamination charts.



For RAL codes and to compare colour across multiple systems, please refer to our cross systems colour guide on pages 32-33



System 10 is a fully integrated 70mm system. It is designed with a bevelled edge and slim sightlines to provide a contemporary appearance suitable for a range of applications.

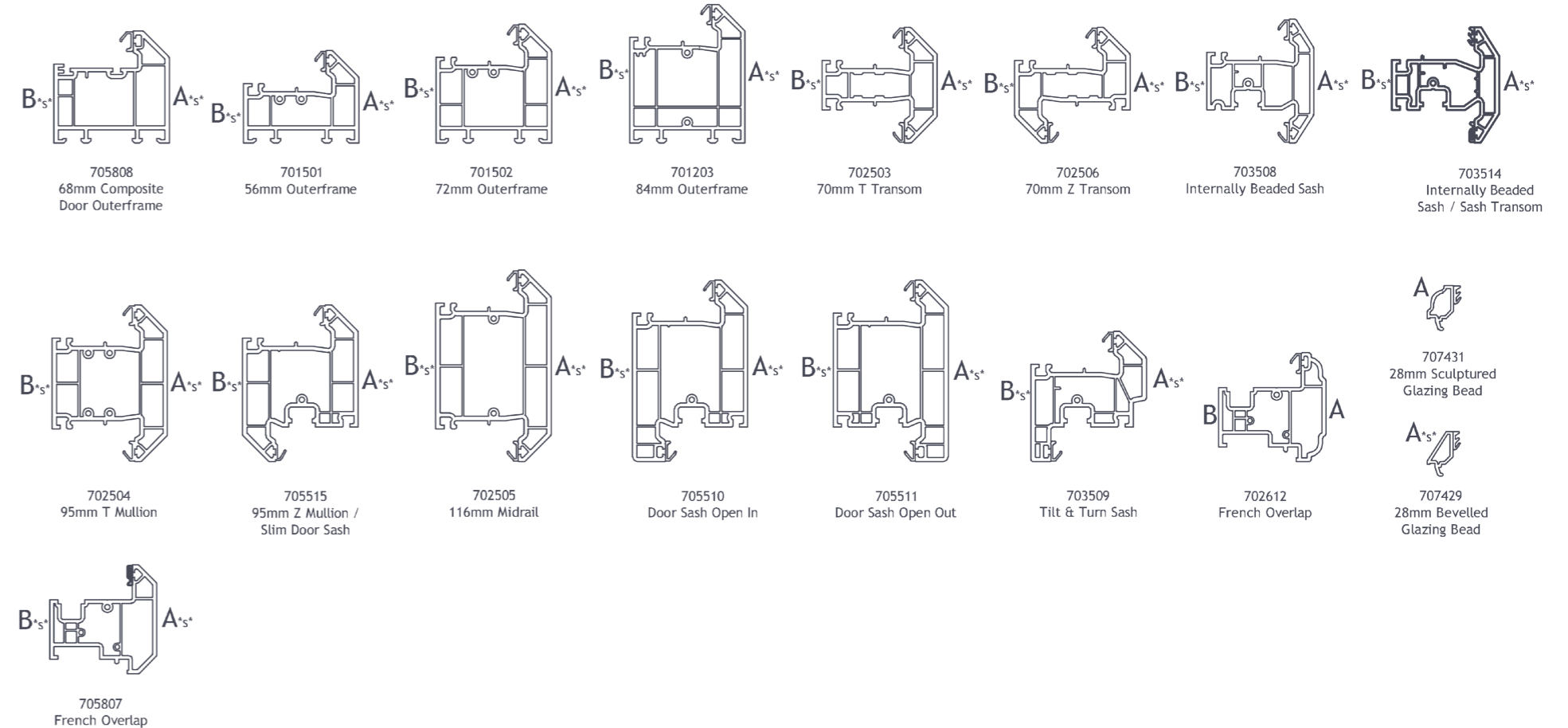
Colour	Sides	Base
Agate Grey	1	White
Agate Grey	2	White
Agate Grey / White**	2	White
Anthracite Grey FEINSTRUKTUR*	1	White
Anthracite Grey FEINSTRUKTUR*	2	Grey
Anthracite Grey FEINSTRUKTUR* / White**	2	White
Black FEINSTRUKTUR*	1	White
Black FEINSTRUKTUR*	2	Grey
Black FEINSTRUKTUR* / White**	2	White
Anthracite Grey	1	White
Anthracite Grey	2	Grey
Anthracite Grey / White**	2	White
Beck Brown	1	White
Beck Brown	2	Brown
Chartwell Green	1	White
Cream	1	White
Cream	2	White
Golden Oak	1	White
Golden Oak	2	Brown
Irish Oak	1	White
Irish Oak	2	Brown
Pebble Grey	1	White
Pebble Grey/White**	2	White
Rosewood	1	White
Rosewood	2	Brown
Silver Grey	1	White
Slate Grey	1	White
White	1	White
White	2	White

\*Feinstruktur is only available on bevelled or flat surfaces

\*\*White on dual colour is always internal face

**Lamination Chart**

Any face with an \*s\* next to it is offered in SPECTRAL and only on bevelled faces.



Download the latest Variations Brochure with the most up to date lamination charts.



For RAL codes and to compare colour across multiple systems, please refer to our cross systems colour guide on pages 32-33

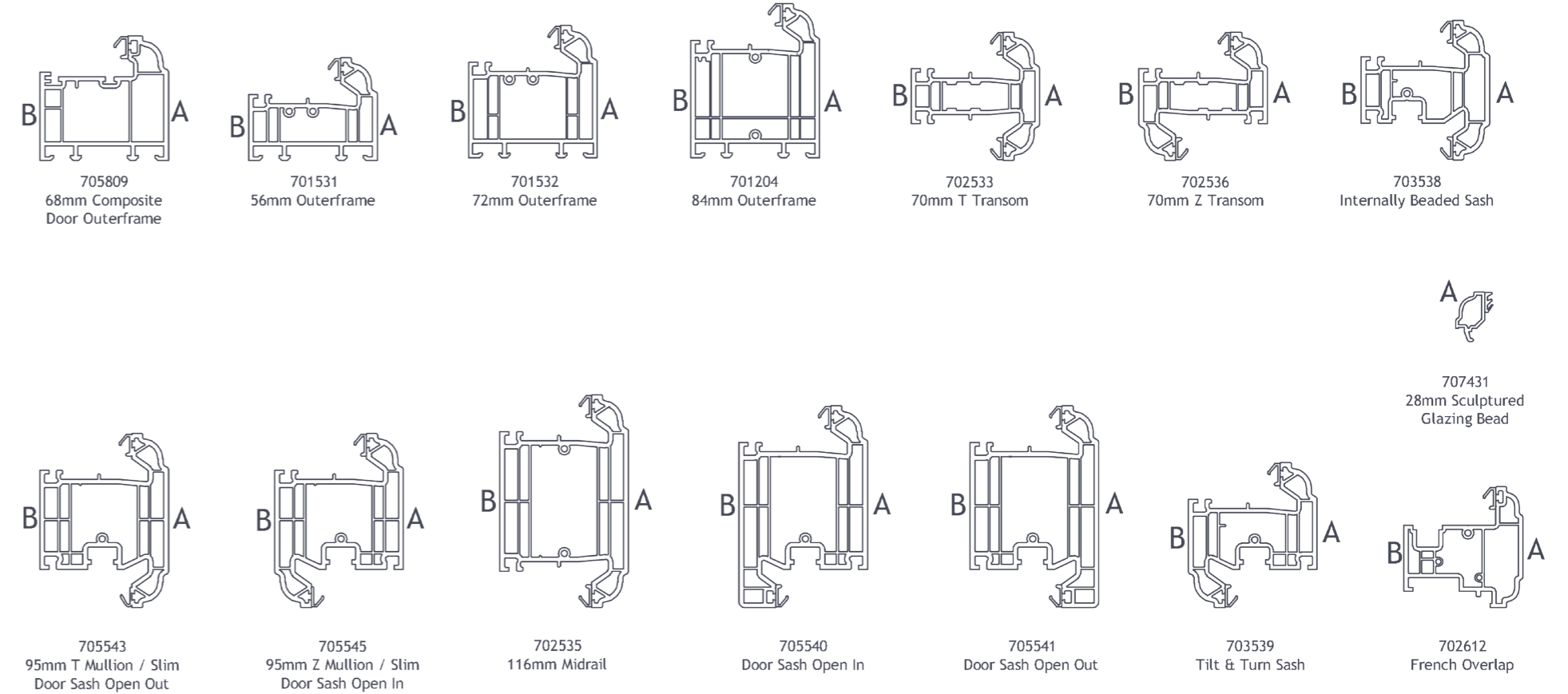


The Rustique sculptured system reflects the appearance of traditional windows while incorporating the performance characteristics of PVCu. The design combines aesthetic features with functionality to support durability, security, and energy efficiency in a range of applications.

Colour	Sides	Base
Agate Grey	1	White
Agate Grey	2	White
Agate Grey / White**	2	White
Anthracite Grey	1	White
Anthracite Grey	2	Grey
Anthracite Grey/White**	2	White
Anthracite Grey Smooth	1	White
Anthracite Grey Smooth	2	Grey
Anthracite Grey Smooth / White**	2	White
Beck Brown	1	White
Beck Brown	2	Brown
Beck Brown/White**	2	White
Chartwell Green	1	White
Cream	1	White
Cream	2	White
Cream/White**	2	White
Golden Oak	1	White
Golden Oak	2	Brown
Irish Oak	1	White
Irish Oak	2	Brown
Pebble Grey	1	White
Pebble Grey/White**	2	White
Rosewood	1	White
Rosewood	2	Brown
Silver Grey	1	White
Slate Grey	1	White
White	1	White
White	2	White

\*\*White on dual colour is always internal face

**Lamination Chart**



Download the latest Variations Brochure with the most up to date lamination charts.





**FlushSash**  
Ex-Stock Colour Availability

For RAL codes and to compare colour across multiple systems, please refer to our cross systems colour guide on pages 32-33



The FlushSash system provides traditional styling combined with the performance characteristics of PVCu. The sash sits level with the frame to reflect the appearance of timber windows while supporting durability, security, and energy efficiency.

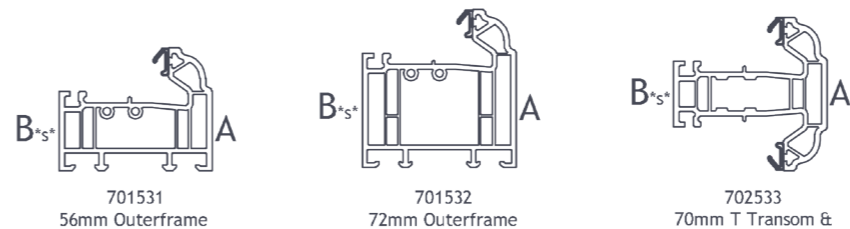
Colour	Sides	Base
Agate Grey	1	White
Agate Grey	2	White
Agate Grey / White**	2	White
Anthracite Grey	1	White
Anthracite Grey	2	Grey
Anthracite Grey / White**	2	White
Basalt Grey	1	White
Beck Brown	1	White
Beck Brown	2	Brown
Beck Brown/White**	2	White
Chartwell Green	1	White
Cream	1	White
Cream	2	White
Cream/White**	2	White
Golden Oak	1	White
Golden Oak	2	Brown
Irish Oak	1	White
Irish Oak	2	Brown
Pebble Grey	1	White
Pebble Grey/White**	2	White
Rosewood	1	White
Rosewood	2	Brown
Silver Grey	1	White
Slate Grey	1	White
White	1	White
White	2	White

\*\*White on dual colour is always internal face

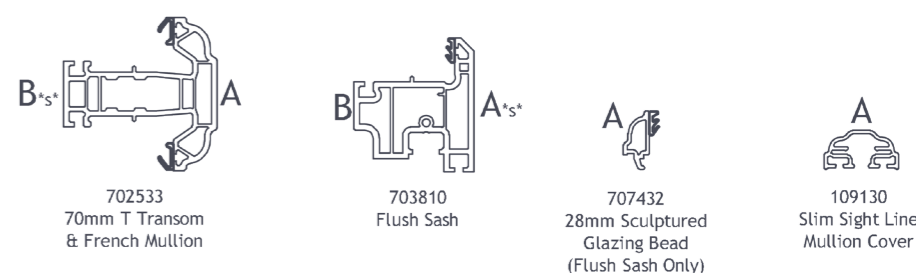
### Lamination Chart

Any face with an \*s\* next to it is offered in SPECTRAL and only on bevelled faces.

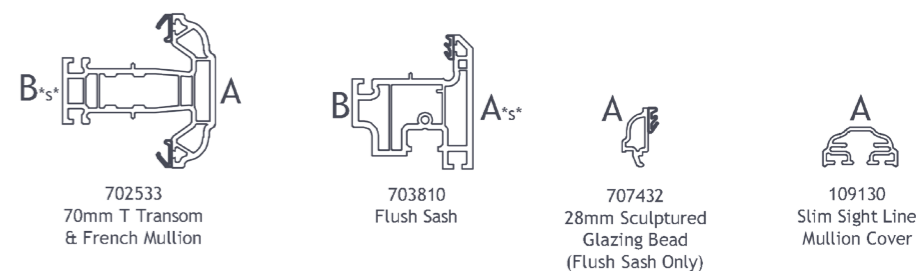
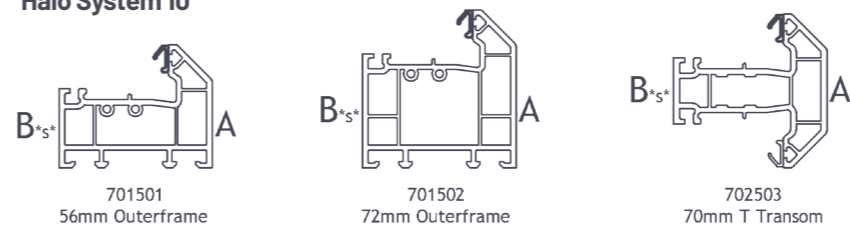
#### Halo Rustique



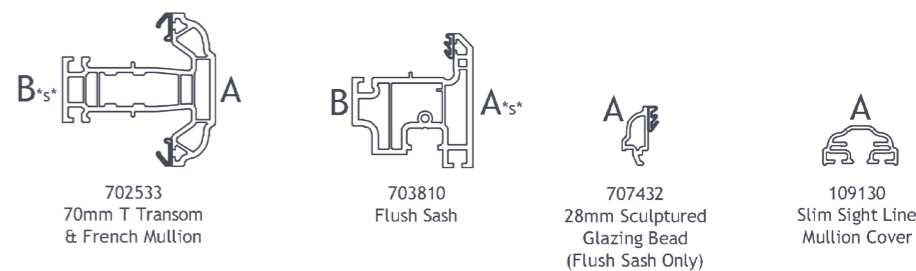
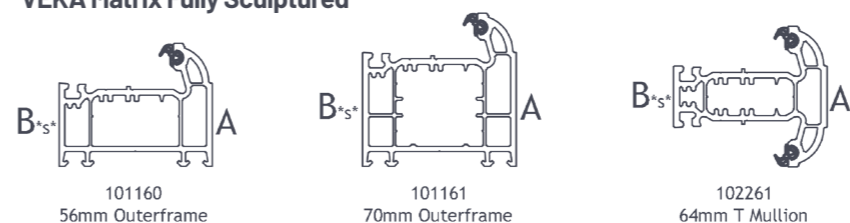
#### Common Profiles



#### Halo System 10



#### VEKA Matrix Fully Sculptured



For ex-stock availability of the Rustique, System 10 and MFS systems, please refer to their specific availability chart within this brochure. These profiles are shown here as being compatible with the FlushSash profiles.

For more information or to order a swatch book contact us on 0800 0512 711, email salesenquiry@veka.com or visit www.veka.co.uk

Download the latest Variations Brochure with the most up to date lamination charts.



For RAL codes and to compare colour across multiple systems, please refer to our cross systems colour guide on pages 32-33



The Imagine Vertical Slider was developed to combine a traditional design style with modern PVCu performance. The system incorporates multiple design features – including 30 specific details – that support functionality, durability, and compliance with industry standards.

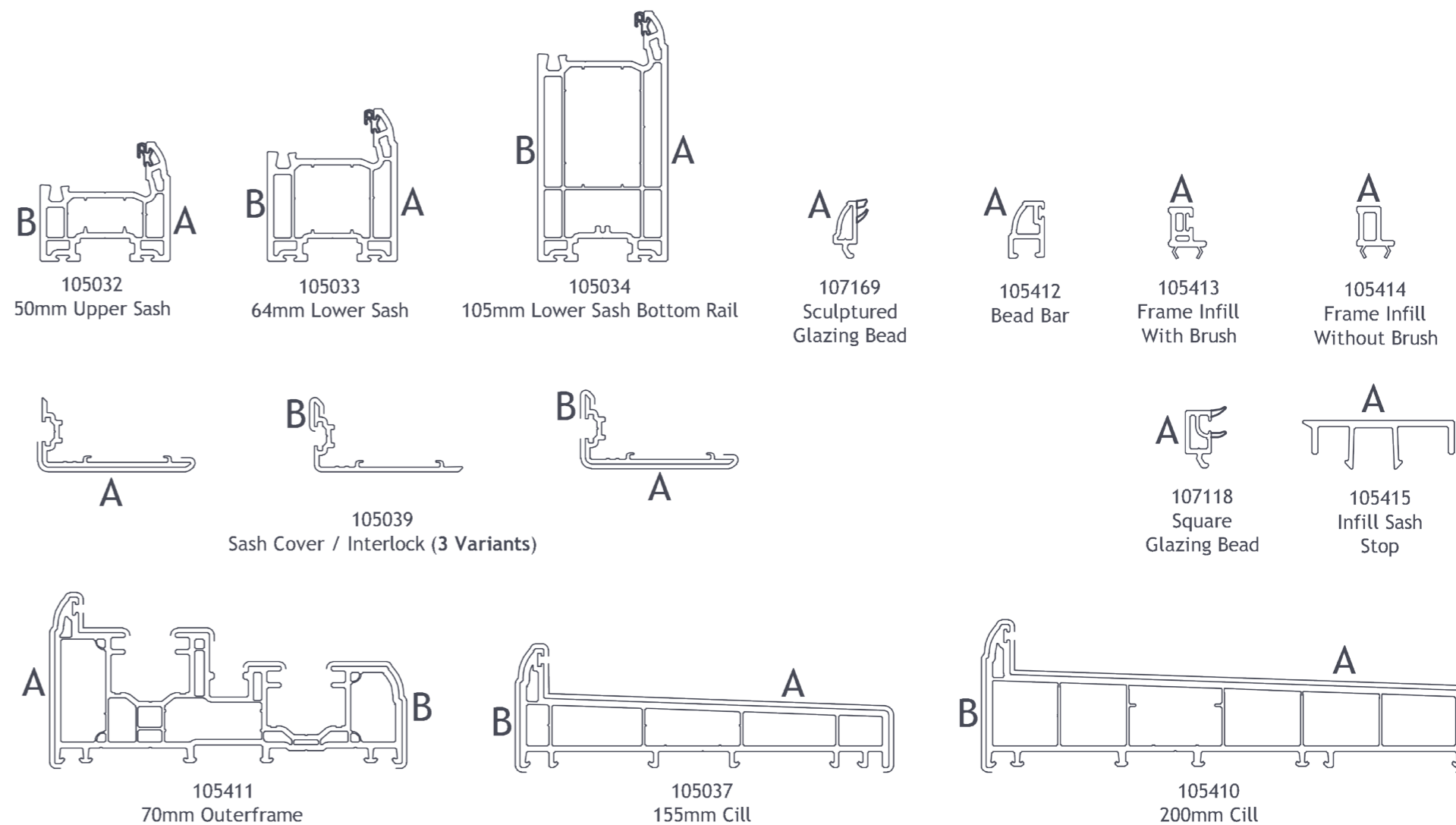
No MTO colour options available on Imagine VS**		
Colour	Sides	Base
Agate Grey	1	White
Agate Grey	2	White
Anthracite Grey	1	White
Anthracite Grey	2	Grey
Anthracite Grey Smooth	1	White
Beck Brown	1	White
Chartwell Green	1	White
Chartwell Green	2	White
Cream	1	White
Cream	2	White
Golden Oak	1	White
Golden Oak	2	Brown
Irish Oak	1	White
Pebble Grey	1	White
Pebble Grey/White**	2	White
Rosewood	1	White
Rosewood	2	Brown
Silver Grey	1	White
Slate Grey	1	White
White	1	White
White	2	White

\*\*Ex-stock colour combinations are those shown on the chart, any other combination is classed as MTO and is not available on this product.

Note: External balance chamber is Black co-extruded on all base colours.

\*\*White on dual colour is always internal face

Lamination Chart



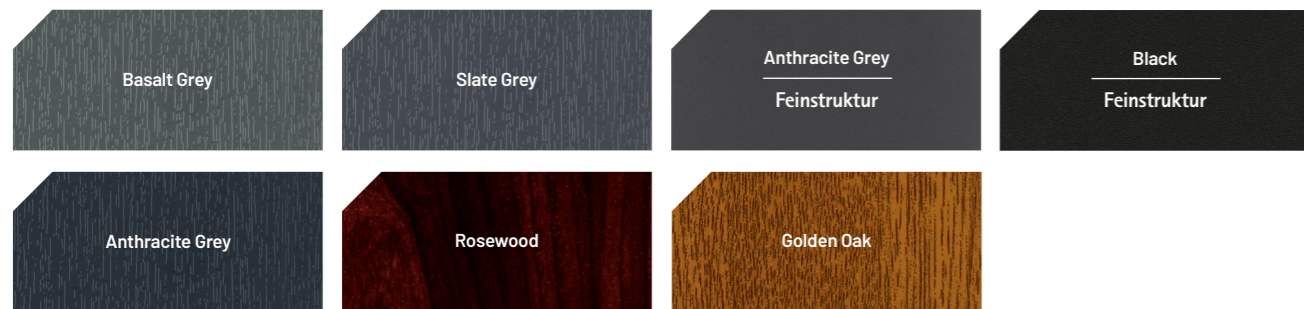
Download the latest Variations Brochure with the most up to date lamination charts.





**Fully Reversible**  
Ex-Stock Colour Availability

For RAL codes and to compare colour across multiple systems, please refer to our cross systems colour guide on pages 32-33



Colour	Sides	Base
Anthracite Grey FEINSTRUKTUR*	1	White
Black FEINSTRUKTUR*	1	White
Anthracite Grey	1	White
Anthracite Grey	2	Grey
Basalt Grey	1	White
Golden Oak	1	White
Golden Oak	2	Brown
Rosewood	1	White
Rosewood	2	Brown
Slate Grey	1	White

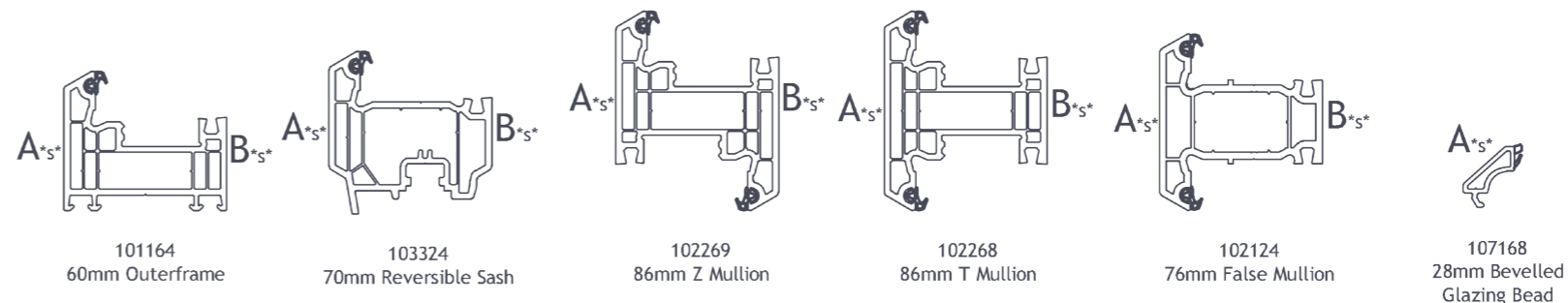
### Lamination Chart

Any face with an "s\*" next to it is offered in SPECTRAL and only on bevelled faces.

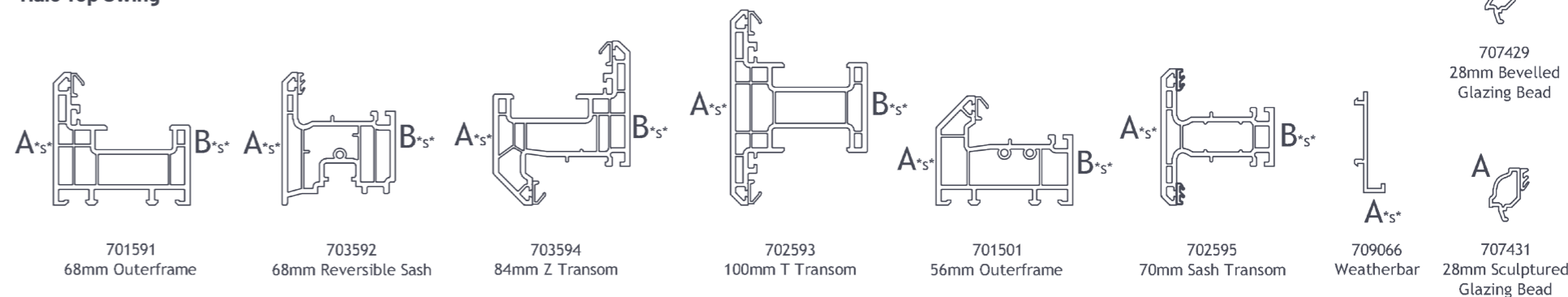
Download the latest Variations Brochure with the most up to date lamination charts.



### VEKA Fully Reversible



### Halo Top Swing



Fully Reversible windows with a bevelled design that support use in multi-storey properties. The Halo variant is produced with a flush finish to the frame, providing an alternative design option within the range.

\*Feinstruktur is only available on bevelled or flat surfaces

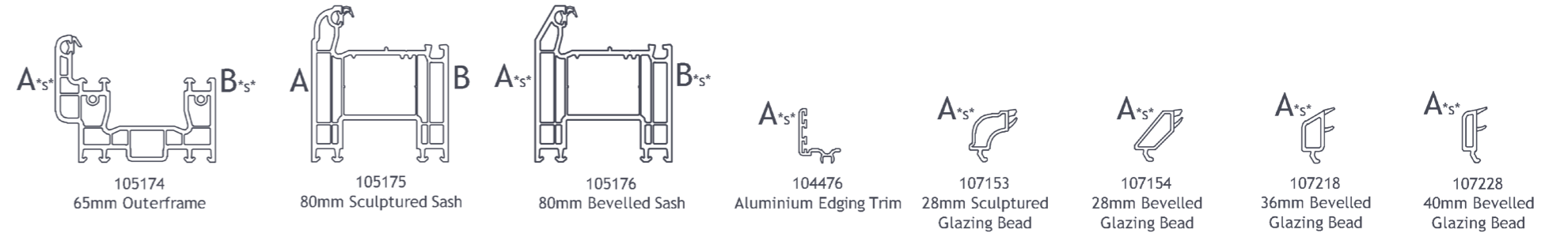
For RAL codes and to compare colour across multiple systems, please refer to our cross systems colour guide on pages 32-33



Colour	Sides	Base
Agate Grey	1	White
Anthracite Grey FEINSTRUKTUR*	1	White
Black FEINSTRUKTUR*	1	White
Anthracite Grey	1	White
Anthracite Grey	2	Grey
Anthracite Grey Smooth	1	White
Beck Brown	1	White
Chartwell Green	1	White
Cream	1	White
Cream	2	White
Golden Oak	1	White
Golden Oak	2	Brown
Irish Oak	1	White
Pebble Grey	1	White
Rosewood	1	White
Rosewood	2	Brown
Silver Grey	1	White
Slate Grey	1	White
White	1	White
White	2	White

**Lamination Chart**

Any face with an \*s\* next to it is offered in SPECTRAL and only on bevelled faces.



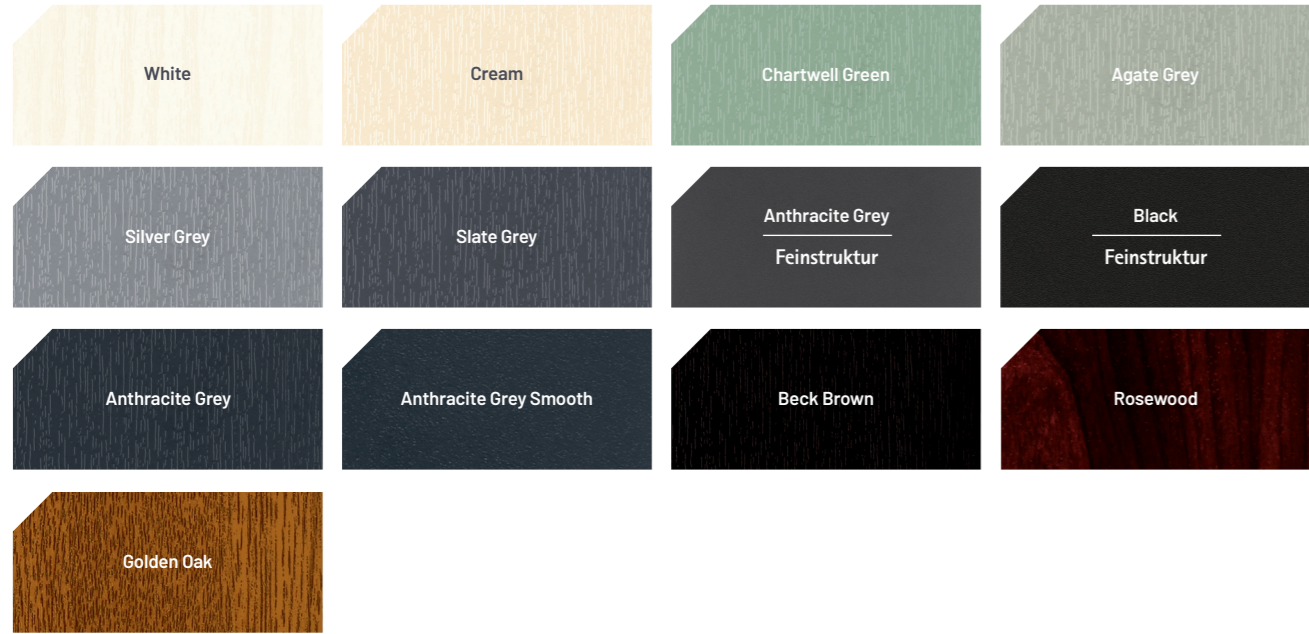
Download the latest Variations Brochure with the most up to date lamination charts.



The Imagine Bi-Fold Door was designed to combine a contemporary appearance with features that support functionality, weather performance, and security. The system includes a flush finish and offers multiple configuration options, making it suitable for different project requirements.

\*Feinstruktur is only available on bevelled or flat surfaces

For RAL codes and to compare colour across multiple systems, please refer to our cross systems colour guide on pages 32-33



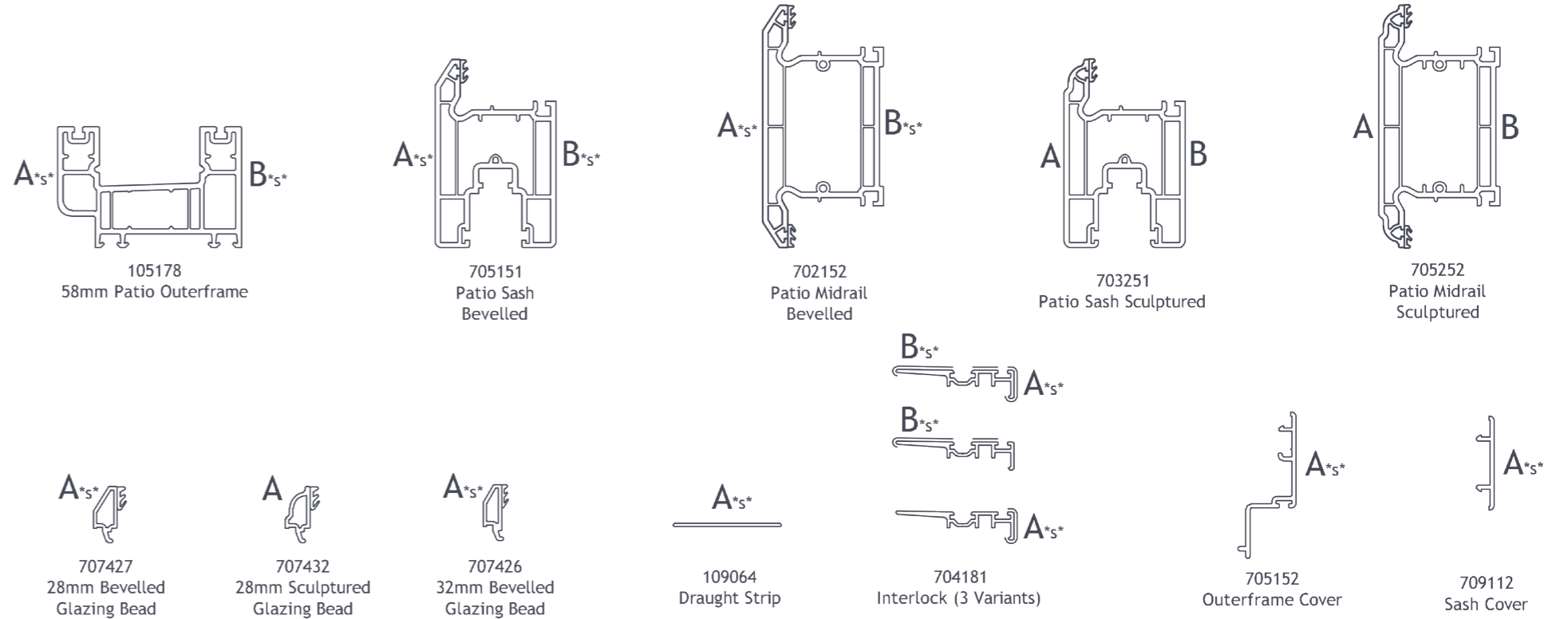
The Imagine Patio Door provides a contemporary appearance along with practical functionality. The system includes multiple configuration options and incorporates features that support security, durability, and performance in line with industry standards.

Colour	Sides	Base
Agate Grey	1	White
Anthracite Grey FEINSTRUKTUR*	1	White
Anthracite Grey FEINSTRUKTUR*	2	Grey
Black FEINSTRUKTUR*	1	White
Black FEINSTRUKTUR*	2	Grey
Anthracite Grey	1	White
Anthracite Grey	2	Grey
Anthracite Grey Smooth	1	White
Anthracite Grey Smooth	2	Grey
Beck Brown	1	White
Beck Brown	2	Brown
Chartwell Green	1	White
Cream	1	White
Cream	2	White
Golden Oak	1	White
Golden Oak	2	Brown
Rosewood	1	White
Rosewood	2	Brown
Silver Grey	1	White
Slate Grey	1	White
White	1	White
White	2	White

\*Feinstruktur is only available on bevelled or flat surfaces

**Lamination Chart**

Any face with an \*s\* next to it is offered in SPECTRAL and only on bevelled faces.



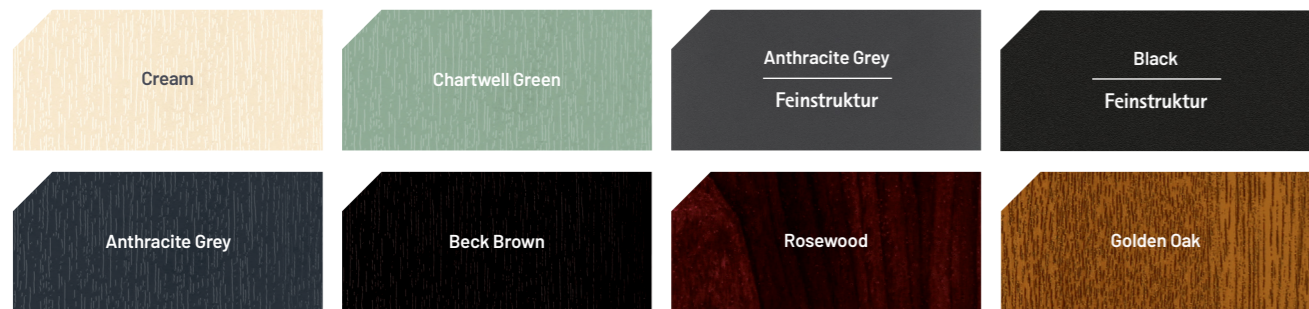
Download the latest Variations Brochure with the most up to date lamination charts.





**Composite Door**  
Ex-Stock Colour Availability

For RAL codes and to compare colour across multiple systems, please refer to our cross systems colour guide on pages 32-33



Colour	Sides	Base
Anthracite Grey FEINSTRUKTUR*	1	White
Anthracite Grey FEINSTRUKTUR*	2	Grey
Black FEINSTRUKTUR*	1	White
Black FEINSTRUKTUR*	2	Grey
Anthracite Grey	1	White
Anthracite Grey	2	Grey
Beck Brown	1	White
Cream	1	White
Chartwell Green	1	White
Golden Oak	1	White
Rosewood	1	White
Rosewood	2	Brown

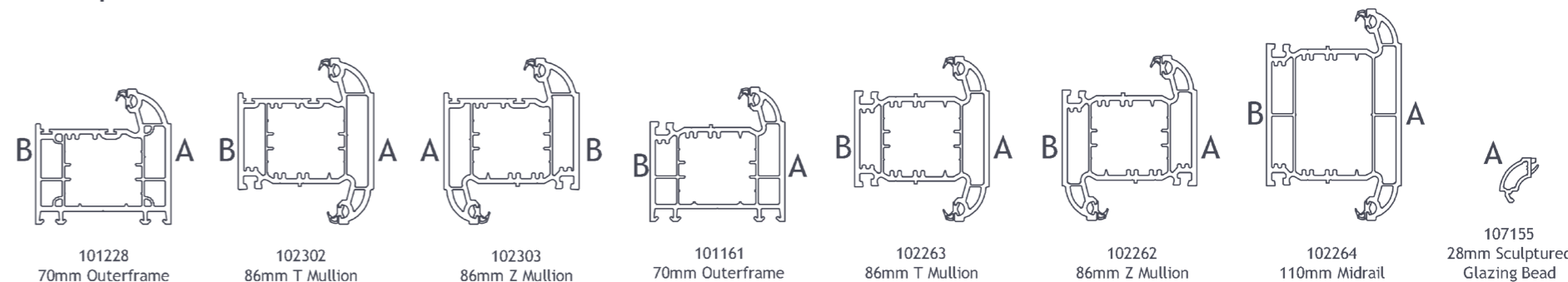
### Lamination Chart

Any face with an "s\*" next to it is offered in SPECTRAL and only on bevelled faces.

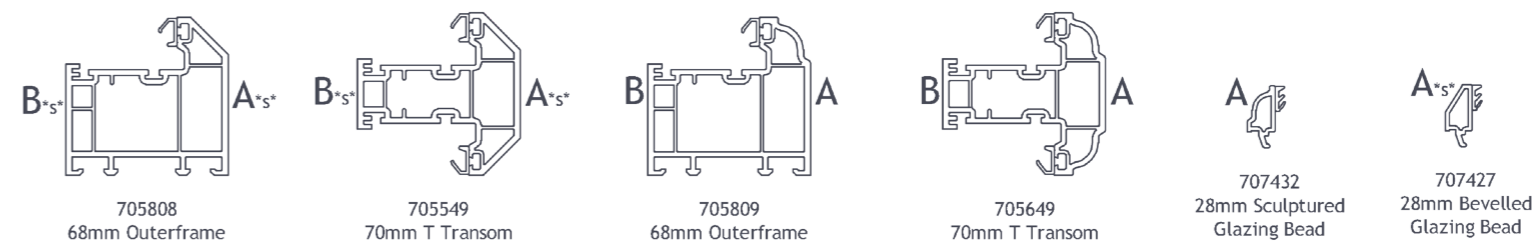
Download the latest Variations Brochure with the most up to date lamination charts.



### VEKA Composite Door



### Halo Composite Door



The VEKA & Halo composite door profile is suitable for use with standard composite door slabs, with bevelled or sculptured design to suit your requirements.

\*Feinstruktur is only available on bevelled or flat surfaces

For RAL codes and to compare colour across multiple systems, please refer to our cross systems colour guide on pages 32-33

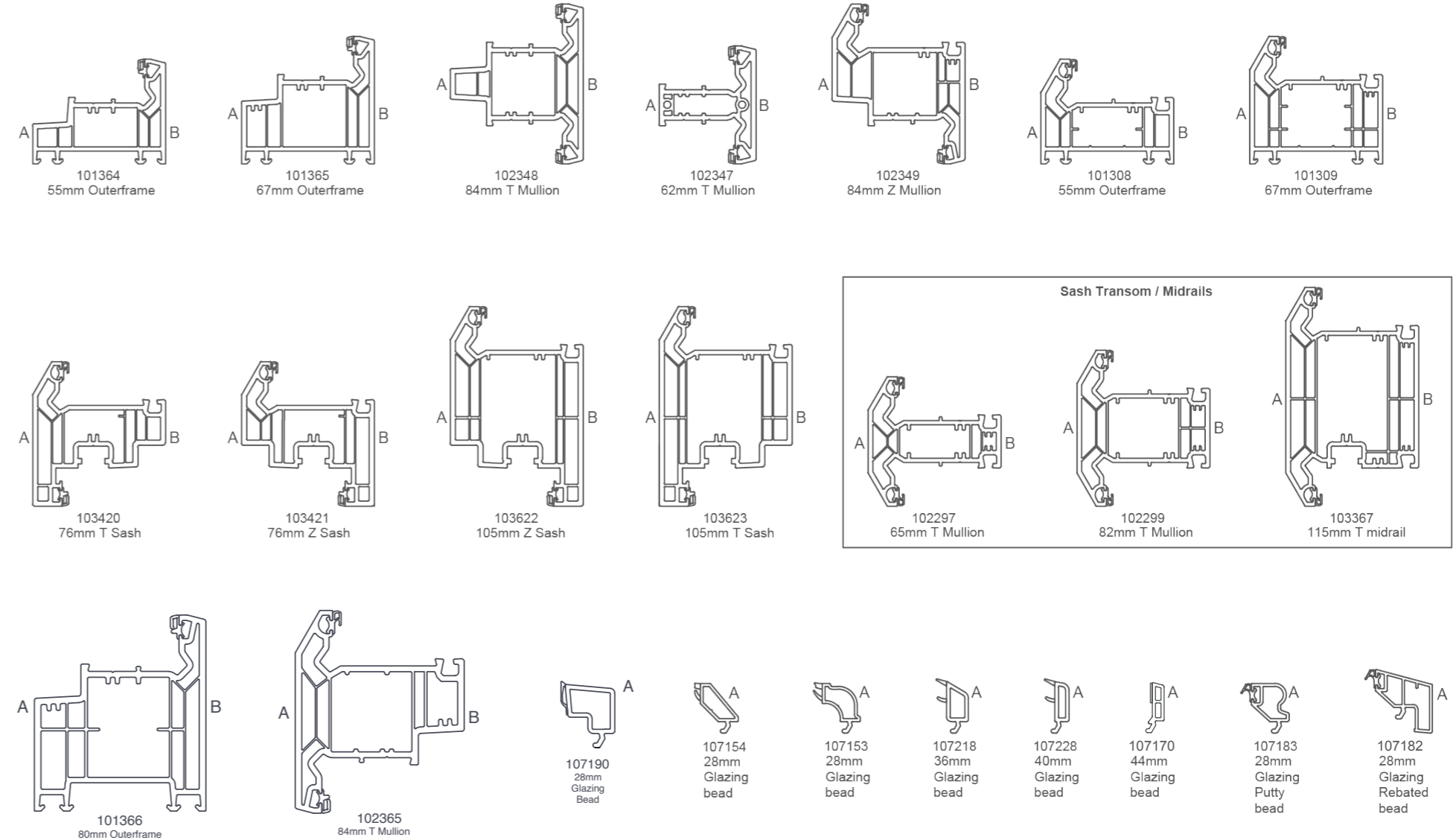


With Casement windows, Tilt and Turn, French and Residential doors, OMNIA was designed to create a flush appearance on both the interior and exterior, incorporating features that support design consistency, energy efficiency, and security in line with industry requirements.

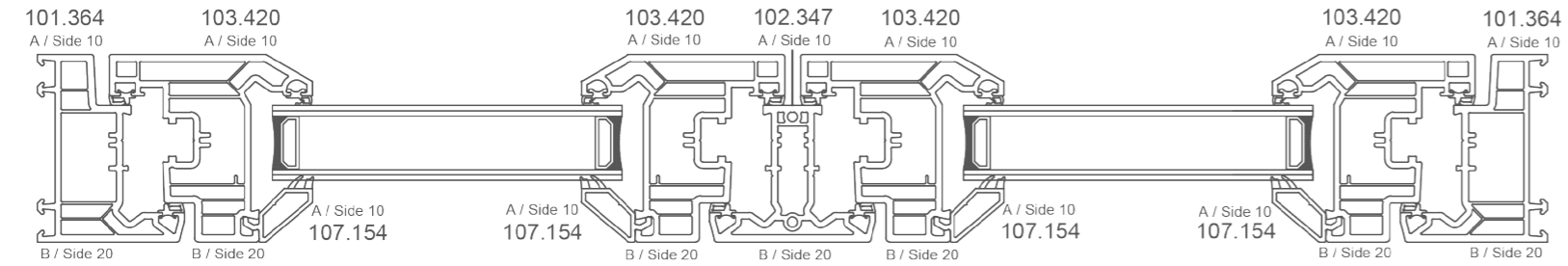
Colour	Sides	Base
Agate Grey	1	White
Agate Grey/White**	2	White
Anthracite Grey FEINSTRUKTUR*	1	White
Anthracite Grey FEINSTRUKTUR*	2	Grey
Black FEINSTRUKTUR*	1	White
Black FEINSTRUKTUR*	2	Grey
Anthracite Grey	1	White
Anthracite Grey	2	Grey
Anthracite Grey/White**	2	White
Beck Brown	1	White
Beck Brown	2	Grey
Beck Brown/White**	2	White
Chartwell Green	1	White
Sage Green	1	White
Claystone	1	White
Claystone/White**	2	White
Cream	1	White
Cream	2	White
Cream/White**	2	White
Irish Oak	2	Grey
Pebble Grey	1	White
Pebble Grey/White**	2	White
White	1	White
White	2	White

\*Feinstruktur is only available on bevelled or flat surfaces

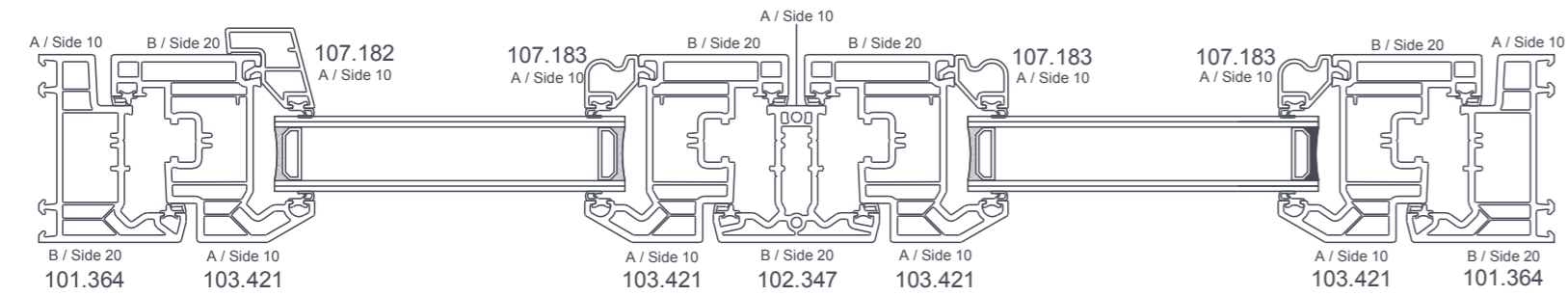
\*\*White on dual colour is always internal face



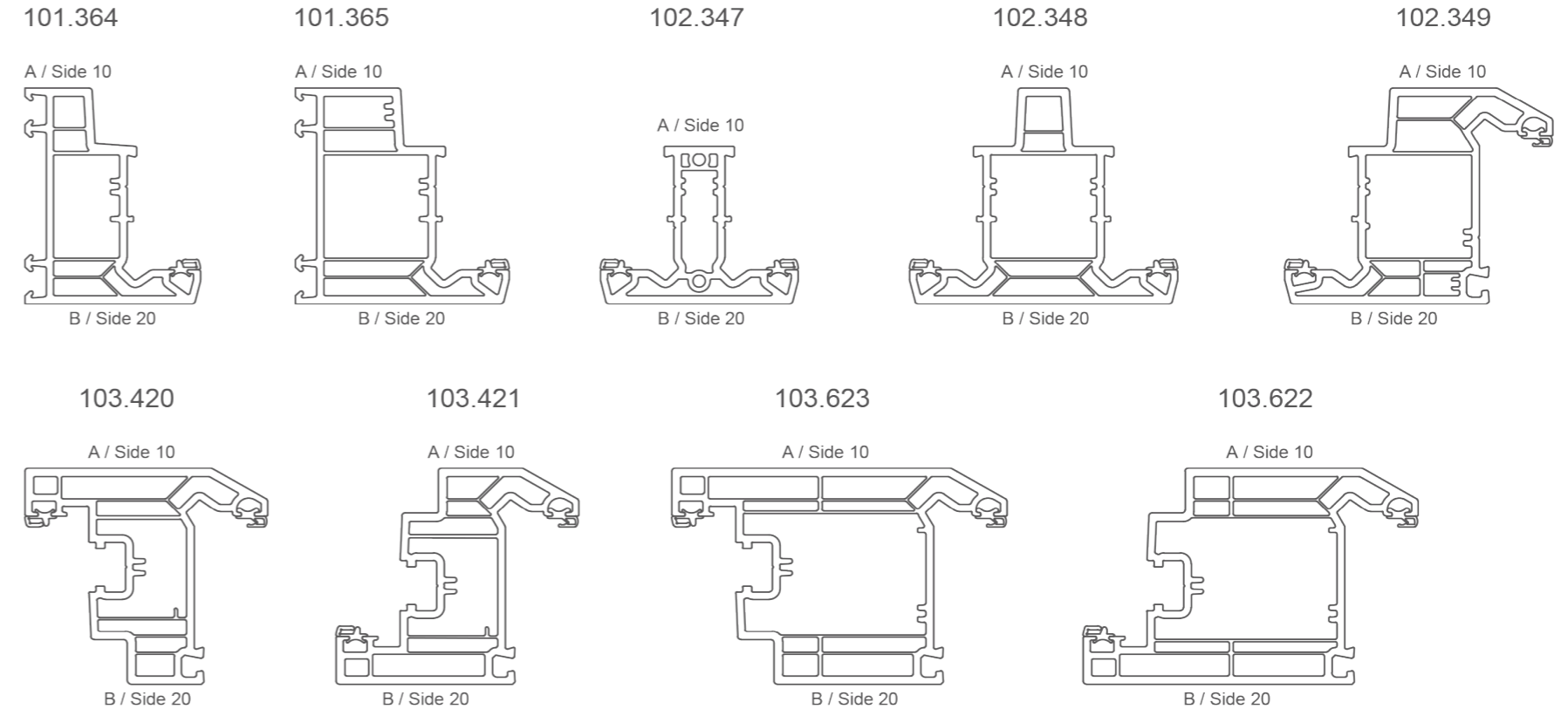
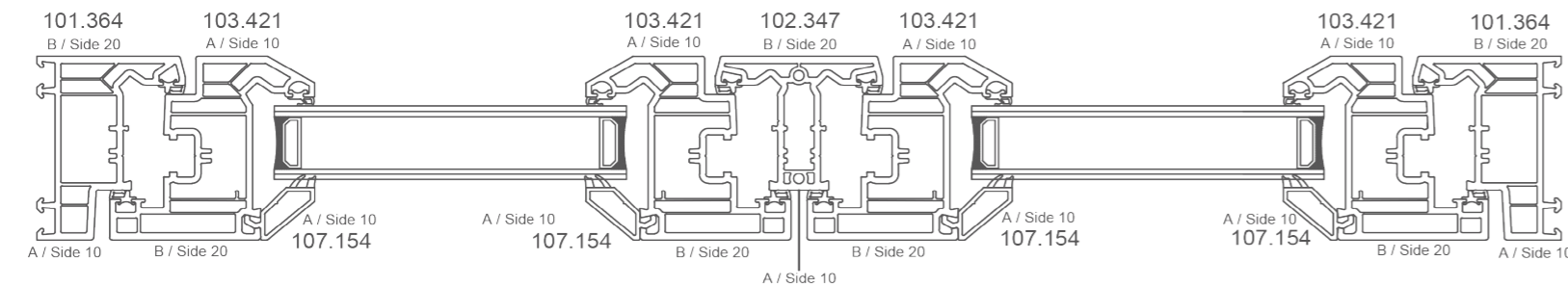
**OMNIA Casement**



**OMNIA Externally Beaded Casement**



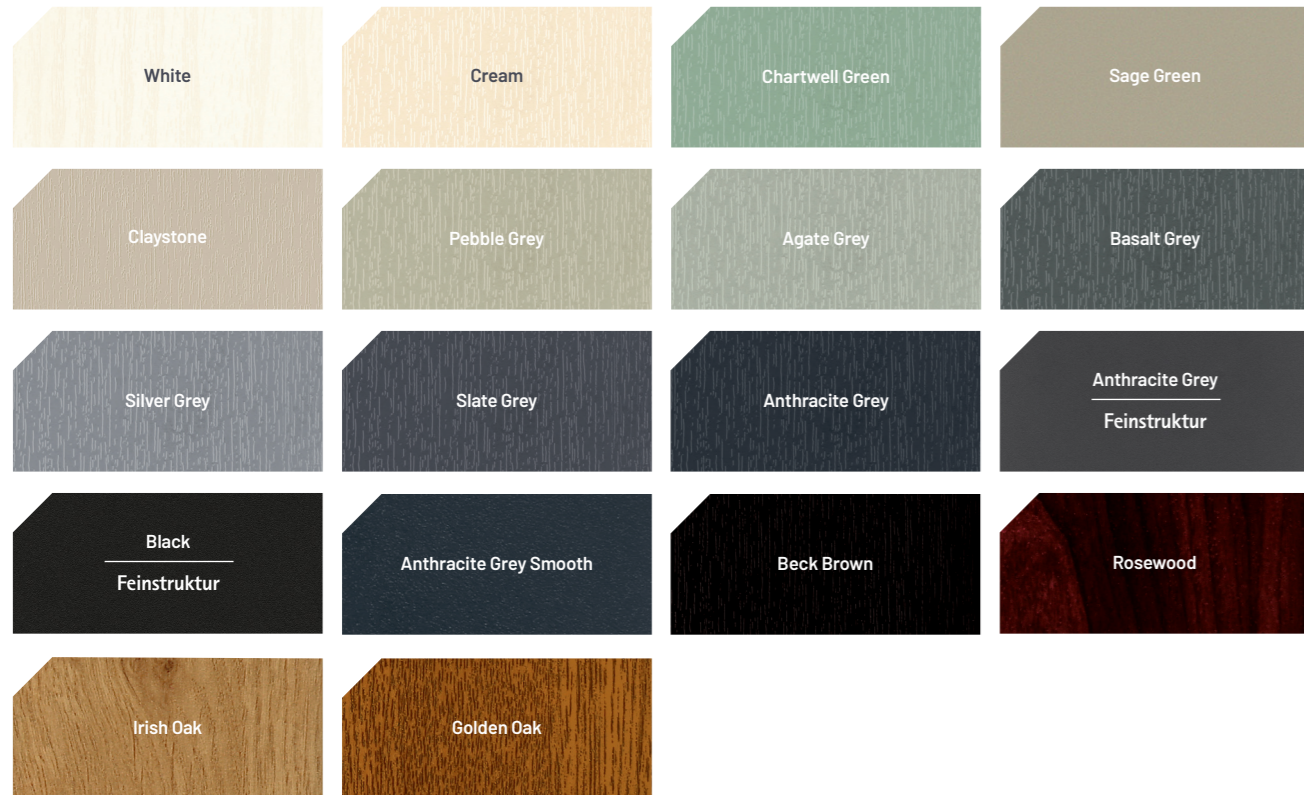
**OMNIA Tilt & Turn**





**Ancillaries**  
Ex-Stock Colour Availability

For RAL codes and to compare colour across multiple systems, please refer to our cross systems colour guide on pages 32-33



A range of laminated ancillaries and injection mouldings that are fully compatible with all profile systems. These components are designed to support a consistent and professional finish across different types of installations.

NOTE: Base colour will be dependent on ancillary ordered, this can be checked with customer services on placement of order.

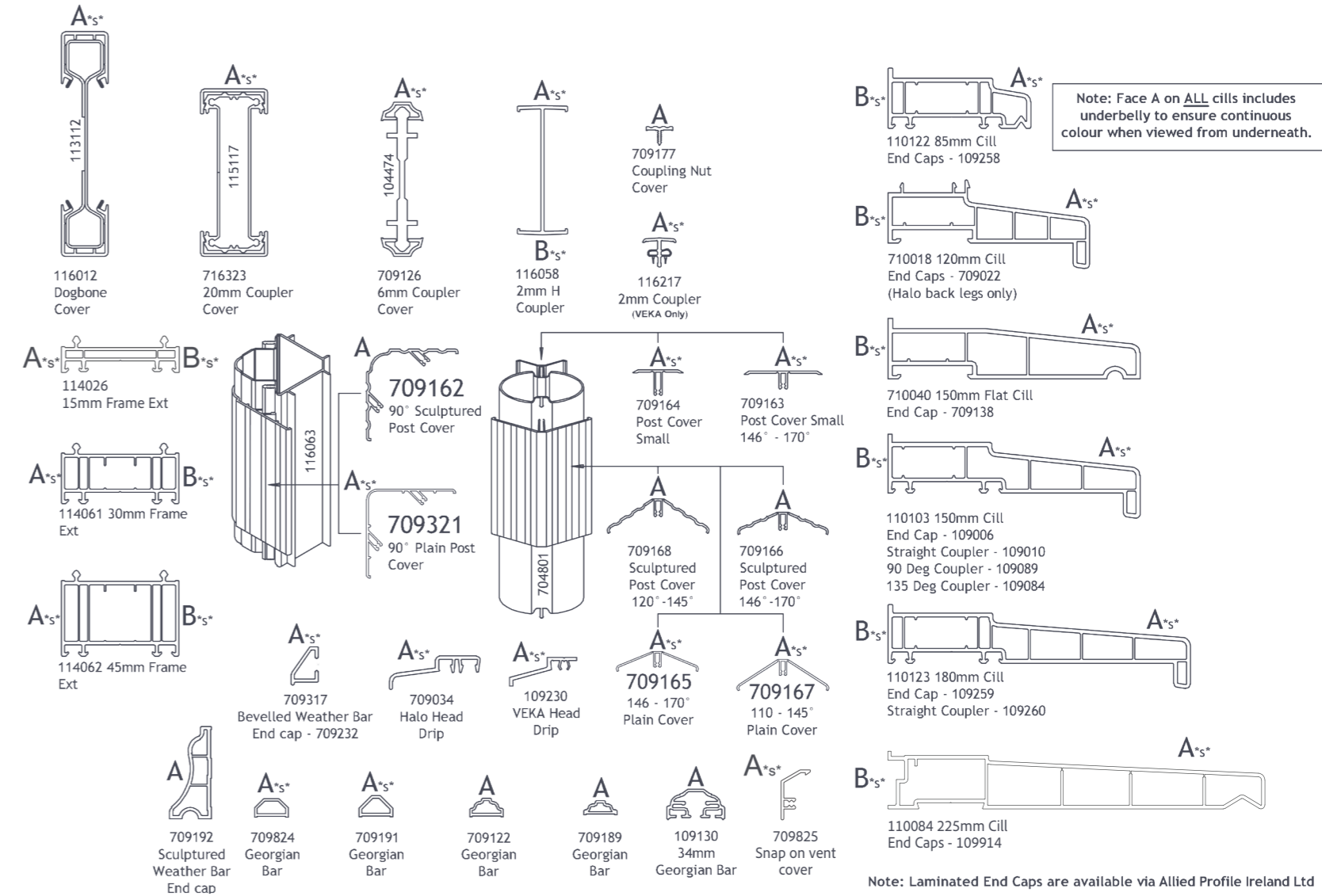
Colour	Sides
Agate Grey	1
Agate Grey	2
Agate Grey / White**	2
Anthracite Grey FEINSTRUKTUR*	1
Anthracite Grey FEINSTRUKTUR*	2
Anthracite Grey FEINSTRUKTUR* / White**	2
Black FEINSTRUKTUR*	1
Black FEINSTRUKTUR*	2
Black FEINSTRUKTUR* / White**	2
Anthracite Grey	1
Anthracite Grey	2
Anthracite Grey / White**	2
Anthracite Grey Smooth	1
Anthracite Grey Smooth	2
Anthracite Grey Smooth / White**	2
Basalt Grey	1
Beck Brown	1
Beck Brown	2
Beck Brown/White**	2
Chartwell Green	1
Chartwell Green	2
Sage Green	1
Claystone	1
Claystone/White**	2
Cream	1
Cream	2
Cream/White	2
Golden Oak	1
Golden Oak	2
Irish Oak	1
Irish Oak	2
Pebble Grey	1
Pebble Grey	2
Pebble Grey/White**	2
Rosewood	1
Rosewood	2
Silver Grey	1
Slate Grey	1
White	1
White	2

\*Feinstruktur is only available on bevelled or flat surfaces

\*\*White on dual colour is always internal face

### Lamination Chart

Any face with an \*s\* next to it is offered in SPECTRAL and only on bevelled faces.



Download the latest Variations Brochure with the most up to date lamination charts.



# VEKA Cross Systems Colour Guide

→ Please follow guide from left to right

We have included this quick cross systems colour guide so you can compare colours across multiple systems. These colours are ex-stock, please contact us for more information on made to order colours.

\*SPECTRAL only available on bevelled profile

\*\* White on dual colour is always internal face

Colour	Reference	RAL Colour	VEKA M70		VEKA Matrix Fully Sculptured		Halo System 10		Halo Rustique		VEKA & Halo Flush Sash		Imagine Vertical Slider		VEKA & Halo Fully Reversible		Imagine Bi-fold Door		Imagine Patio Door		VEKA & Halo Composite Door		OMNIA		VEKA & Halo Ancillaries							
			Sides		Sides		Sides		Sides		Sides		Sides		Sides		Sides		Sides		Sides		Sides		Sides							
			1 Side	2 Sides	1 Side	2 Sides	1 Side	2 Sides	1 Side	2 Sides	1 Side	2 Sides	1 Side	2 Sides	1 Side	2 Sides	1 Side	2 Sides	1 Side	2 Sides	1 Side	2 Sides	1 Side	2 Sides	1 Side	2 Sides						
Agate Grey	Agte	7038	→	White		→	White		→	White	White	→	White	White	→			→	White		→			→	White		→	White	White			
Agate Grey / White**	Agte / Whte	7038 / 9010	→			→			→	White		→			→			→			→			→		White	→		White			
Anthracite Grey Feinstruktur*	AnthFS	7016	→	White	Grey	→			→	White	Grey	→			→	White	Grey	→	White	Grey	→	White	Grey	→	White	Grey	→	White	Grey			
Black Feinstruktur*	BkckFS	9005	→	White	Grey	→			→	White	Grey	→			→	White	Grey	→	White	Grey	→	White	Grey	→	White	Grey	→	White	Grey			
Anthracite Grey	Anth	7016	→	White	Grey	→	White	Grey	→	White	Grey	→	White	Grey	→	White	Grey	→	White	Grey	→	White	Grey	→	White	Grey	→	White	Grey			
Anthracite Grey / White**	Anth / Whte	7016 / 9010	→			→			→	White		→	White	White	→			→			→			→		White	→		White			
Anthracite Grey Smooth	Anth#	7016	→			→	White	Grey	→	White	Grey	→			→	White		→	White		→	White	Grey	→			→	White	Grey			
Anthracite Grey Smooth / White**	Anth / Whte	7016 / 9010	→			→			→	White		→			→			→			→			→			→		White			
Basalt Grey	Bslt	7012	→	White		→			→			→	White		→	White		→			→			→			→	White				
Beck Brown	Bkck	8022	→	White	Brown	→	White	Brown	→	White	Brown	→	White	Brown	→	White		→	White		→	White	Brown	→	White		→	White	Grey	→	White	White
Beck Brown / White**	Bkck / Whte	8022 / 9010	→			→			→		White	→	White	White	→			→			→			→		White	→		White			
Chartwell Green	CGrn	-	→	White		→	White		→	White		→	White		→	White	White	→	White		→	White		→	White		→	White	White			
Claystone	Clay	-	→			→			→			→			→			→			→			→	White		→	White	White			
Claystone / White**	Clay / Whte	- / 9010	→			→			→			→			→			→			→			→		White	→		White			
Cream	Crem	9001	→	White	White	→	White	White	→	White	White	→	White	White	→	White	White	→	White	White	→	White	White	→	White	White	→	White	White			
Cream / White**	Crem / Whte	9001 / 9010	→			→			→		White	→	White	White	→			→			→			→		White	→		White			
Golden Oak	GOak	8001	→	White	Brown	→	White	Brown	→	White	Brown	→	White	Brown	→	White	Brown	→	White	Brown	→	White	Brown	→	White	Brown	→	White	White			
Irish Oak	IOak	1011	→			→	White	Brown	→	White	Brown	→	White	Brown	→	White		→	White		→			→		Grey	→	White	White			
Pebble Grey	Pbbl	7032	→	White		→	White		→	White		→	White		→	White		→	White		→			→	White		→	White	White			
Pebble Grey / White**	Pbbl / Whte	7032 / 9010	→			→		White	→		White	→	White	White	→		White	→			→			→		White	→		White			
Rosewood	Rose	8017	→	White	Brown	→	White	Brown	→	White	Brown	→	White	Brown	→	White	Brown	→	White	Brown	→	White	Brown	→	White	Brown	→			→	White	White
Sage Green	Sage	-	→			→			→			→			→			→			→			→	White		→	White				
Silver Grey	Silv	7001	→	White		→	White		→	White		→	White		→	White		→	White		→	White		→			→	White				
Slate Grey	Slte	7015	→	White		→	White		→	White		→	White		→	White		→	White		→	White		→			→	White				
White	Whte	9010	→	White	White	→	White	White	→	White	White	→	White	White	→			→	White	White	→	White	White	→	White	White	→	White	White			

Our full range of 18 Ex-Stock Colours cover all systems, so if not available ex-stock in a particular product ex-stock it can be ordered made to order\*.

## EX-STOCK COLOUR RANGE



COLOUR	REF:	NEAREST RAL:
WHITE	White	9010 ☺



COLOUR	REF:	NEAREST RAL:
CREAM	Crem	9001 ☺



COLOUR	REF:	NEAREST RAL:
CHARTWELL GREEN	CGrn	- ☺



COLOUR	REF:	NEAREST RAL:
SAGE GREEN	Sage	- ☺



COLOUR	REF:	NEAREST RAL:
CLAYSTONE	Clay	- ☺



COLOUR	REF:	NEAREST RAL:
PEBBLE GREY	Pbbl	7032 ☺



COLOUR	REF:	NEAREST RAL:
AGATE GREY	Agte	7038 ☺



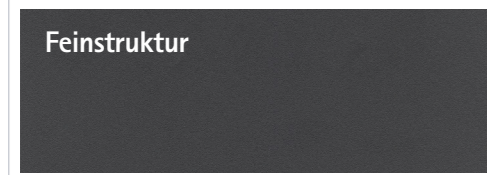
COLOUR	REF:	NEAREST RAL:
BASALT GREY	Bslt	7012 ☹



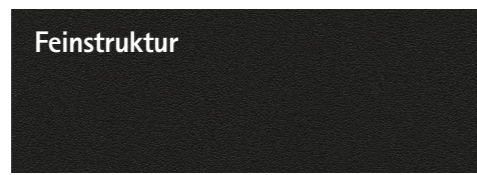
COLOUR	REF:	NEAREST RAL:
SILVER GREY	Silv	7001 ☺



COLOUR	REF:	NEAREST RAL:
SLATE GREY	Site	7015 ☹



COLOUR	REF:	NEAREST RAL:
FEINSTRUKTUR ANTHRACITE GREY	AnthFS	7016 ☹



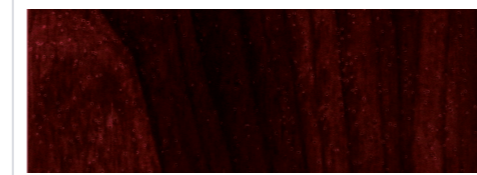
COLOUR	REF:	NEAREST RAL:
FEINSTRUKTUR BLACK	BlckFS	9005 ☹



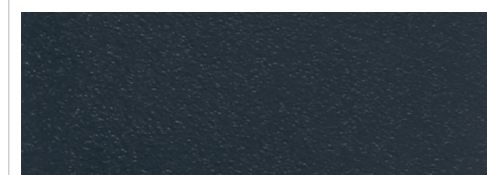
COLOUR	REF:	NEAREST RAL:
ANTHRACITE GREY	Anth	7016 ☹



COLOUR	REF:	NEAREST RAL:
BECK BROWN	Blck	8022 ☹



COLOUR	REF:	NEAREST RAL:
ROSEWOOD	Rose	8017 ☹



COLOUR	REF:	NEAREST RAL:
ANTHRACITE GREY SMOOTH	Anth#	7016 ☹



COLOUR	REF:	NEAREST RAL:
IRISH OAK	loak	1011 ☺



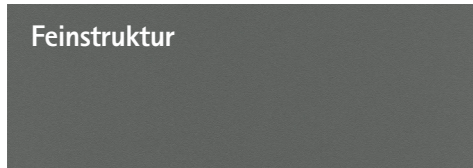
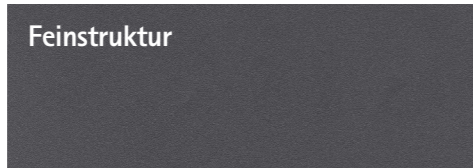
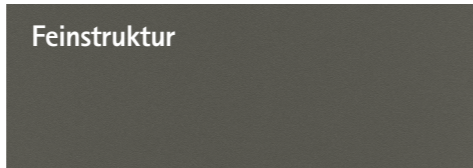
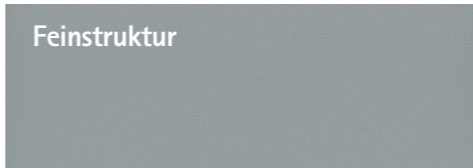
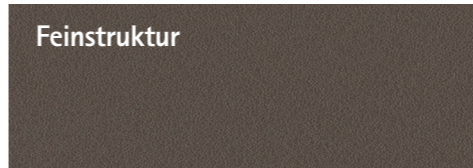
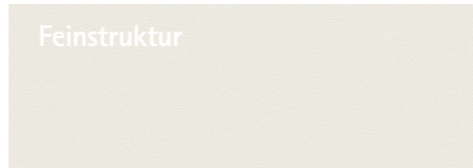

















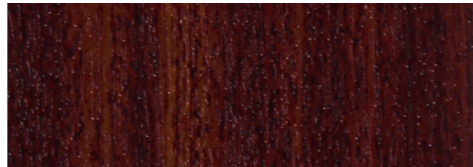





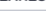






COLOUR	REF:	NEAREST RAL:
GOLDEN OAK	Goak	8001 ☹



\*Feinstruktur and SPECTRAL are only available on bevelled or flat surfaces

In addition to our Ex-Stock Colour range, we also have a collection of Made-to-Order Colours on an extended lead time. These 25 colours give you even more options and something to suit every requirement.

## MTO COLOUR RANGE

																				
COLOUR	REF:	NEAREST RAL:	COLOUR	REF:	NEAREST RAL:	COLOUR	REF:	NEAREST RAL:	COLOUR	REF:	NEAREST RAL:	COLOUR	REF:	NEAREST RAL:	COLOUR	REF:	NEAREST RAL:	COLOUR	REF:	NEAREST RAL:
BASALT GREY	BsItFS	7012 	SLATE GREY	SlteFS	7015 	QUARTZ GREY	QuarzFS	7039 	SILVER GREY	SlvFS	7001 	UMBER	UmbrFS	- 	TRAFFIC WHITE	WhteFS	9016 	LIGHT OAK	LOak	8008 
																				
COLOUR	REF:	NEAREST RAL:	COLOUR	REF:	NEAREST RAL:	COLOUR	REF:	NEAREST RAL:	COLOUR	REF:	NEAREST RAL:	COLOUR	REF:	NEAREST RAL:	COLOUR	REF:	NEAREST RAL:	COLOUR	REF:	NEAREST RAL:
ANTEAK	AnTK	7048 	BALMORAL	Balm	7030 	DARK GREEN	DGrn	6009 	DARK RED	DRed	3011 	GINGER OAK	Ging	1001 	LIGHT IVORY	Livy	1015 	SIENA PN	Snna	8028 
																				
COLOUR	REF:	NEAREST RAL:	COLOUR	REF:	NEAREST RAL:	COLOUR	REF:	NEAREST RAL:	COLOUR	REF:	NEAREST RAL:	COLOUR	REF:	NEAREST RAL:	COLOUR	REF:	NEAREST RAL:	COLOUR	REF:	NEAREST RAL:
MONUMENT OAK	MOak	7006 	MOUNTAIN PINE	MPne	1011 	NATURAL OAK	NOak	1002 	REGENCY A	Rgcy	8017 	WALNUT V	Wnt	8028 	WINDSOR	Wind	1019 	SPECTRAL GRAPHITE	Grap*	9011 
																				
COLOUR	REF:	NEAREST RAL:	COLOUR	REF:	NEAREST RAL:	COLOUR	REF:	NEAREST RAL:	COLOUR	REF:	NEAREST RAL:									
SPECTRAL PLATINUM GREY	Plat*	7040 	SPECTRAL UMBRA	Umbr*	- 	SPECTRAL ANTHRACITE GREY	Anth*	7016 	STEEL BLUE	SBlu	5011 									

\*Feinstruktur and SPECTRAL are only available on bevelled or flat surfaces

## Reinforcement guidelines

The following guidelines are based on using galvanised steel reinforcements which are supplied/specified by VEKA for guarantee purposes. Third party reinforcements are not covered by VEKA plc Kitemark certification.

Light Colour Specification	☾
The following colours and colours marked with the white droplet in the colour pages can be reinforced as per standard white windows. Please refer to the relevant technical manual for reinforcement and installation guidelines on domestic specifications.	Agate Grey
	Chartwell Green
	Cream
	Irish Oak
	Pebble Grey
	Silver Grey
	White

Dark Colour Specification	☾
The remaining foil colours listed here and with the dark droplet in the colour pages should be treated as dark colour/woodgrain and reinforced/installed accordingly. Please refer to the relevant technical manuals for the correct specifications.	Anthracite Grey
	Anthracite Grey Smooth
	Anthracite Grey SPECTRAL
	Basalt Grey
	Beck Brown
	Golden Oak
	Rosewood
Slate Grey	

For further clarification, please contact the Technical Helpdesk Tel: 01282 725360 or email: [technical@veka.com](mailto:technical@veka.com)

## Notes

RAL Colours	Guarantee Notes	Chemical Resistance	Maintenance
<p>The RAL colour references shown in this document and swatch book are shown as the nearest match to that particular foil and as such will not be an exact match. Please agree any colour match with your customers/paint suppliers prior to use.</p> <p>No laminated foil is manufactured to be an exact match to the corresponding RAL colour and Wood grain finishes are difficult to match by RAL colour alone.</p> <p>It is important that the end user ensures any colour match is acceptable before committing to any work or product purchase.</p> <p>It is recommended that the customer/end user uses a freely available foil swatch to make any colour match comparison.</p> <p>Profile Base Colour RAL Reference Codes:                      White – 9003                      Brown – 8875                      Grey – 7015</p>	<p>Guarantee is ten years from the date of delivery for all colours for the UK and RoI only. Please contact the VEKA plc customer services department for guarantee periods for supply into other countries. Guarantee periods cover the performance of the foil in terms of its weatherability and colour fastness. The guarantee period as indicated above will become void if the foil is over painted (due to solvents / chemicals found within the paint attacking the acrylic top layer of the foil).</p>	<p>Laminate foils are resistant to normal household cleaning agents e.g. ammonia water, aliphatic benzene, light alcoholic-water solutions, cleaning agents (non-abrasive), water and building materials e.g. cement, gypsum. Laminate foils are not resistant to any other organic solvents, mixtures of organic solvents and preparations containing organic solvents e.g. varnish thinners, varnish removers, polish and adhesives.</p>	<p>Appropriate cleaning with a damp soft cloth using mild detergents, excluding abrasive products. No further maintenance is required for the PVCu.</p>

**VEKA plc**  
Farrington Road  
Rossendale Road Ind. Est.  
Burnley, Lancashire  
BB11 5DA

Tel: 01282 716611  
veka.co.uk

# VEKA

V01/26

Images are for illustration purpose only. We reserve the right to change product specification at any time.  
Due to the limitations of the printing process we recommend that an accurate colour swatch is requested prior to ordering.  
The company cannot accept any responsibility for colours or images shown in this brochure.  
All information within this brochure is correct at time of going to print.

Company No. 01626563 | VAT No. GB 497951576